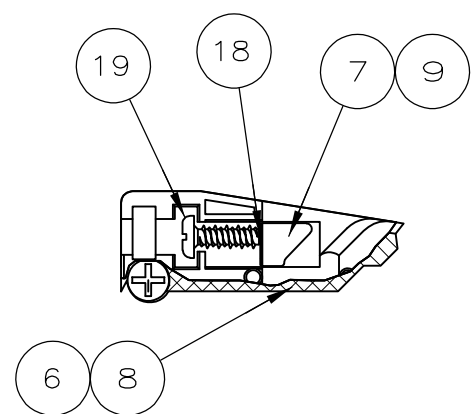
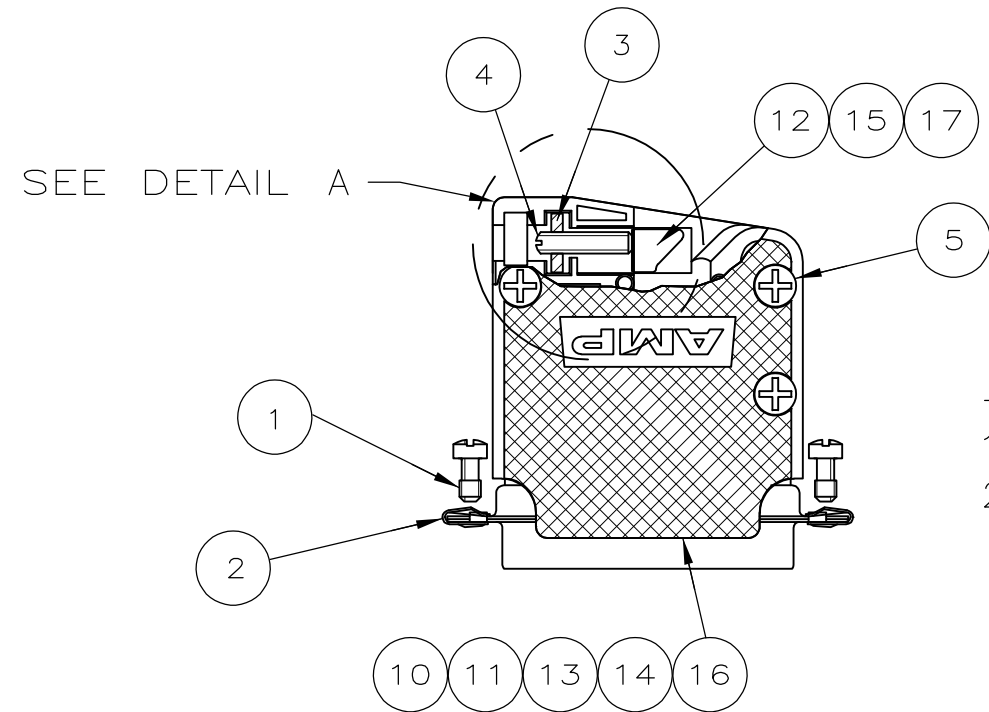


THIS DRAWING IS UNPUBLISHED. RELEASED FOR PUBLICATION  
 © COPYRIGHT 2006 By - ALL RIGHTS RESERVED.

LOC	DIST	REVISIONS			
P	LTR	DESCRIPTION	DATE	DWN	APVD
GP	00	A1	REVISED PER ECO-11-004835	11MAR11	RK HMR



DETAIL A  
FOR -1 & 2 ONLY



-3, -4, -5,  
1--1, 1--2,  
2--2 & 2--6

- 1 PARTS PACKAGED UNASSEMBLED.
- ② STAINLESS STEEL.
- ③ ZINC PLATED YELLOW CHROMATE COATING.
- ④ STEEL.
- ⑤ ZINC PLATED CLEAR CHROMATE COATING.
- ⑥ BRASS.
- ⑦ BLACK ZINC PHOSPHATE.
- ⑧ OBSOLETE.

CONTENTS BULK PACKAGED BY ITEM											
CONTENTS PACKAGED ONE KIT PER POLY BAG											
-	-	-	-	-	-	-	-	-	-	GATE SCREW ④ ⑦	19
-	-	-	-	-	-	-	-	-	-	SHIM ⑥	18
-	-	-	-	1	-	-	-	-	-	SIZE 5 GATE	17
-	-	-	-	1	-	-	-	-	-	SIZE 5 HOUSING	16
-	-	-	-	1	-	-	-	-	-	SIZE 4 GATE	15
-	-	-	-	1	-	-	-	-	-	SIZE 4 HOUSING	14
1	-	1	-	-	-	-	-	-	-	SIZE 3 SHORT HOUSING	13
1	1	1	-	-	-	1	-	-	-	SIZE 3 GATE	12
-	1	-	-	-	-	1	-	-	-	SIZE 3 HOUSING	11
-	-	-	1	-	-	-	-	-	-	SIZE 2 SHORT HOUSING	10
-	-	-	1	-	-	-	1	-	-	SIZE 2 GATE	9
-	-	-	-	-	-	-	1	-	-	SIZE 2 HOUSING	8
-	-	-	-	-	-	-	-	1	-	SIZE 1 GATE	7
-	-	-	-	-	-	-	-	1	-	SIZE 1 HOUSING	6
2	3	2	3	3	3	3	2	1	-	PH HD #5-21 HI-LO SCREW ④ ⑤	5
1	1	1	-	1	1	1	-	-	-	SLOTTED SET SCREW ④ ⑤	4
1	1	1	-	1	1	1	-	-	-	SQUARE NUT ④	3
2	2	2	2	2	2	2	2	2	-	CLIP ②	2
2	2	2	2	2	2	2	2	2	-	RETAINING SCREW ③ ④	1
2-6	2-2	1-2	1-1	-5	-4	-3	-2	-1		DESCRIPTION	ITEM NO

THIS DRAWING IS A CONTROLLED DOCUMENT.		DWN R.RICHARDSON 12SEPT05		
DIMENSIONS: INCHES		CHK C.ROHDE 12SEPT05		
TOLERANCES UNLESS OTHERWISE SPECIFIED:		APVD M.WALMSLEY 12SEPT05	NAME STRAIN RELIEF KIT, 45 /180 AMPLIMITE HD-20	
		PRODUCT SPEC	RESTRICTED TO	
MATERIAL HOUSING & GATES: POLYPROPYLENE		APPLICATION SPEC	SIZE A2	CAGE CODE 00779
HARDWARE: ② ④ ⑥		FINISH HOUSING & GATES: BLACK	DRAWING NO C=5206478	SCALE 2:1
HARDWARE: ③ ⑤ ⑦		WEIGHT -	SHEET 1 of 1	REV A1
CUSTOMER DRAWING				